

# 10 MOST WANTED



**WE PAY CASH**

**OR BARTER!**

We want your surplus, small arms, ammunition & confiscated weapons! This includes your old revolvers, pistols, rifles & shotguns. It doesn't have to be firearms! We are interested in helmets, handcuffs, batons, etc.



**RIFLES**



**HANDGUNS**



**SHOTGUNS**



**MACHINE GUNS**



**SUBMACHINE GUNS**



**AMMUNITION**



**RIOT GEAR**

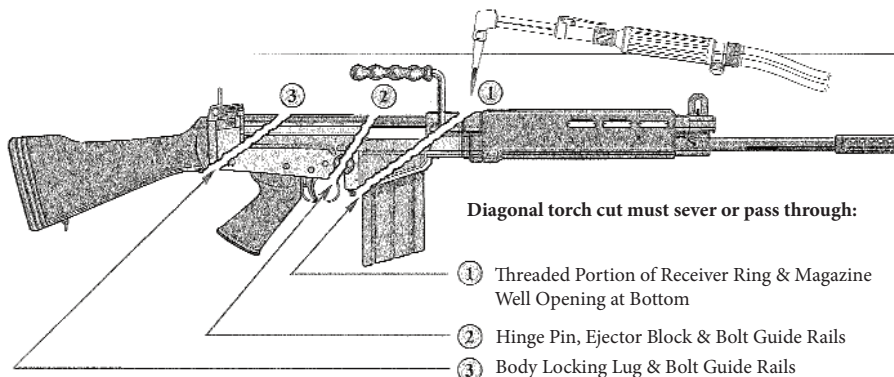


**HANDCUFFS**

**POLICE BIKES**

## DESTRUCTION SERVICE

### FN FAL Type Firearm



Not allowed to sell your weapons for much needed cash? How about for parts only? We will do the destructions of the frames or receivers for you and issue a notarized certificate of destruction. Not only will your department not have to pay for this destruction, but your department can earn cash or store credit for purchase of department needs.



**CENTURY ARMS**

**CONTACT OUR LAW ENFORCEMENT DEPARTMENT**

Tel: 1.800.270.2767 - Fax: 802.524.5631

LE@centuryarms.com

236 Bryce Blvd. Fairfax, VT 05454